

ASSEMBLY INSTRUCTIONS

Pergola | 79" x 59" x 98"



PIECES

2 x



Column 6" x 2.5" x 5.56ft
(With Metalon)

4 x



Column 5" x 5" x 8.2ft
(With Metalon)

5 x



Column 6" x 2.5" x 8.2ft
(With Metalon)

4 x



Column Cover
5" x 5"

20 x



Metal Corner
Plastic Finish for
Corner

32 x



Screw CC 4,5mm x 40mm

120 x



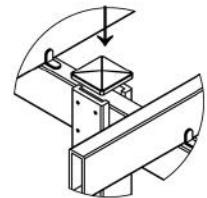
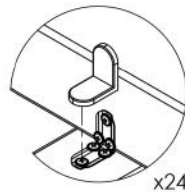
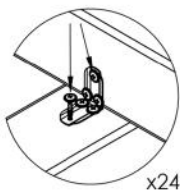
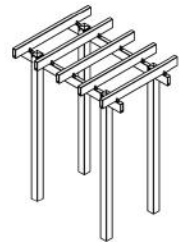
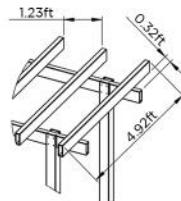
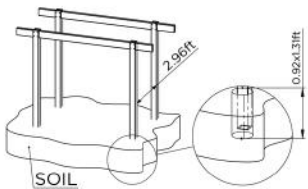
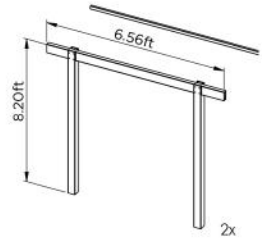
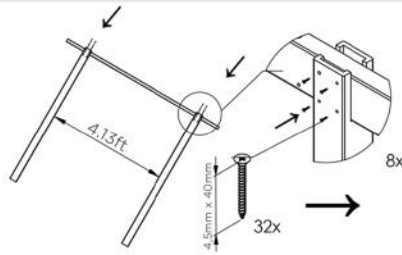
Screw CC 4,5mm x 16mm

32 x



Hole Cover

STEP BY STEP



END

Contact us:

For US Corporation:

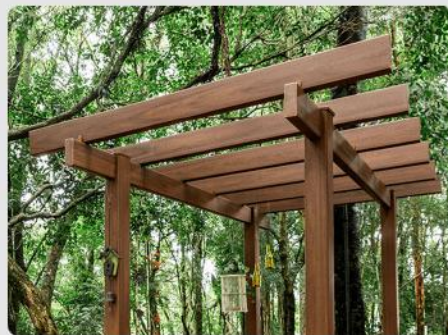
www.foruseco.com

1-561-774 0707

In Brasil:

www.inbrasil.ind.br

+55 042 3135-5000



INSTRUCCIONES DE ENSAMBLE

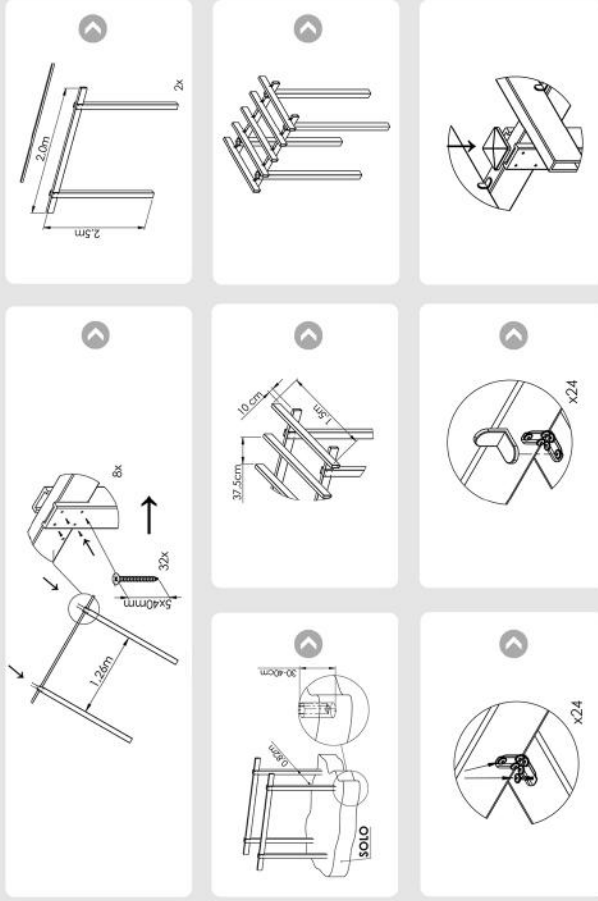
Pérgola | 2,00x1,50x2,50m



PIEZAS

- 2 x** Columna 150x60mm x 2,00m (Con Metalon)
- 20 x** Canto de metal y Acabado de plástico
- 4 x** Columna 120x120mm x 2,50m (Con Metalon)
- 32 x** Tornillo CC 4,5x40mm
- 5 x** Columna 150x60 mm x 2,50m (Con Metalon)
- 120 x** Tornillo CC 4,5x16mm
- 4 x** Tapa para Columna 120x120mm
- 32 x** Tapa del agujero

PASO A PASO



▼ FIN



Contáctenos:
For US Corporation:
www.foruseco.com
 1-561-774 0707

In Brasil:
www.inbrasil.ind.br
 +55 042 3135-5000

MANUAL DE MONTAGEM

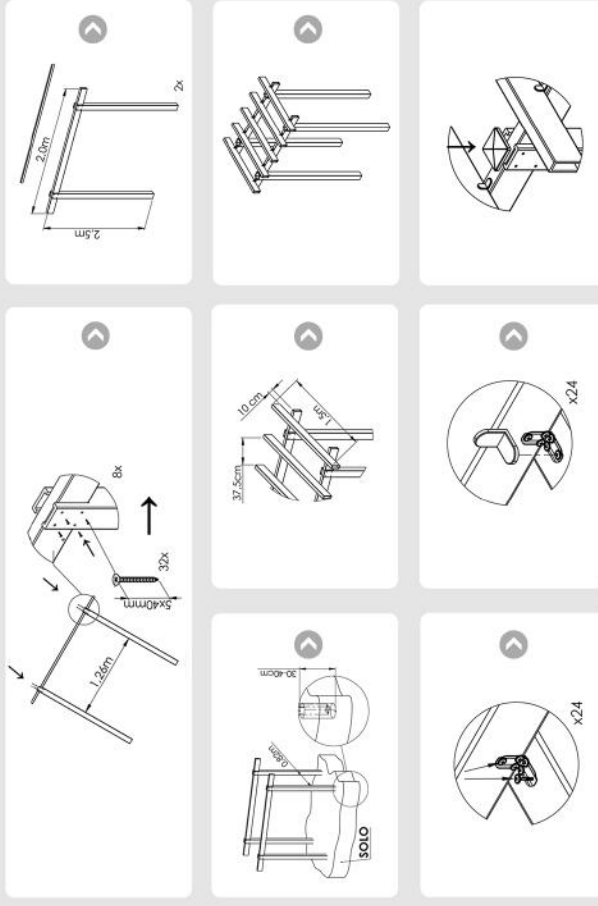
Pergolado | 2,00x1,50x2,50m



PEÇAS

- 2 x** Coluna 150x60mm x 2,00m (Com Metalon)
- 20 x** Cantoneira Metálica Acabamento Plástico para Cantoneira
- 4 x** Coluna 120x120mm x 2,50m (Com Metalon)
- 32 x** Parafuso CC 4,5x40mm
- 5 x** Coluna 150x60 mm x 2,50m (Com Metalon)
- 120 x** Parafuso CC 4,5x16mm
- 4 x** Tampa para Palanque 120x120mm
- 32 x** Tapa Furo

PASSO A PASSO



▼ FIM



Fale com a gente:
For US Corporation:
www.foruseco.com
 1-561-774 0707

In Brasil:
www.inbrasil.ind.br
 +55 042 3135-5000