

ASSEMBLY INSTRUCTIONS

Barbecue Table | 59" x 28"



PIECES

1 x



Seat 4.92 x 5.08 ft

1 x



Cover 4.92 x 2.36 ft

2 x



Feet 0.29 x 0.09 ft

4 x



Feet 0.29 x 0.29 ft

16 x



French Screw 6,5"

8 x



French Screw 4"

24 x



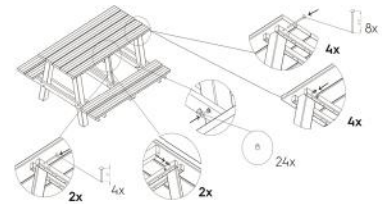
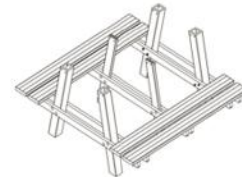
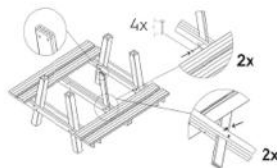
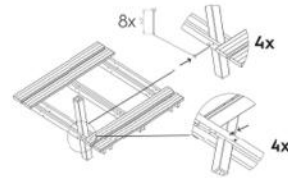
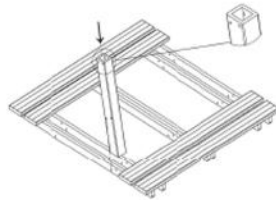
Hex Nut and Washer

24 x



Screw Finish

STEP BY STEP



▼ END

Contact us:

For US Corporation:

www.foruseco.com

1-561-774 0707

In Brasil:

www.inbrasil.ind.br

+55 042 3135-5000



INSTRUCCIONES DE ENSAMBLE

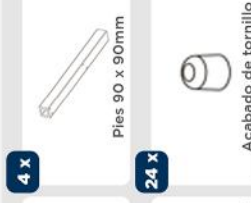
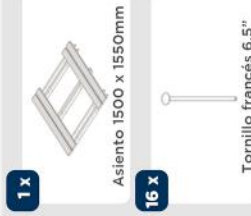
Mesa de Parrilla | 1,50m



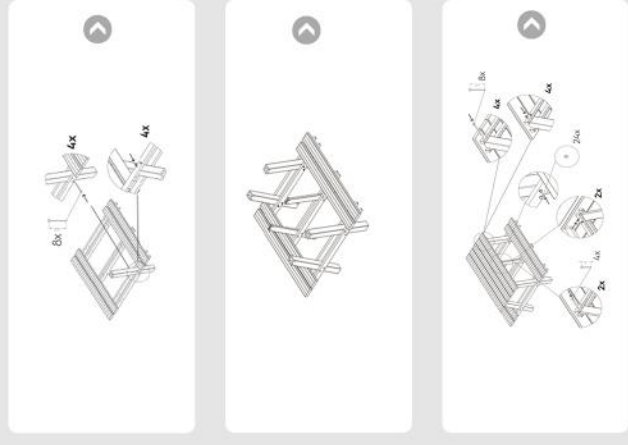
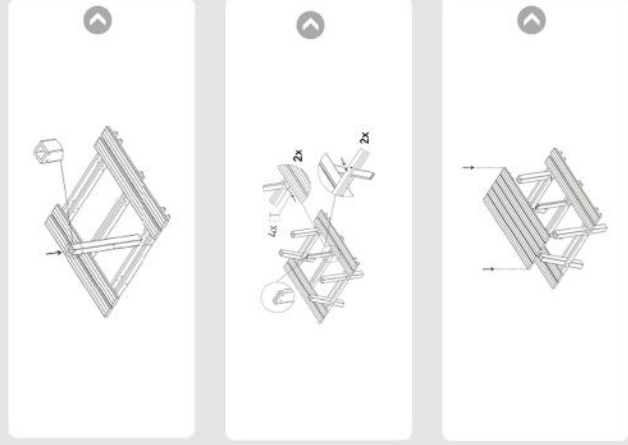
In Brasil



PIEZAS



PASO A PASO



MANUAL DE MONTAGEM

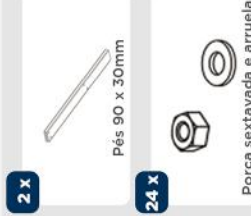
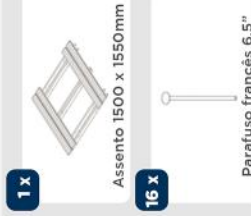
Mesa de Churrasqueira | 1,50m



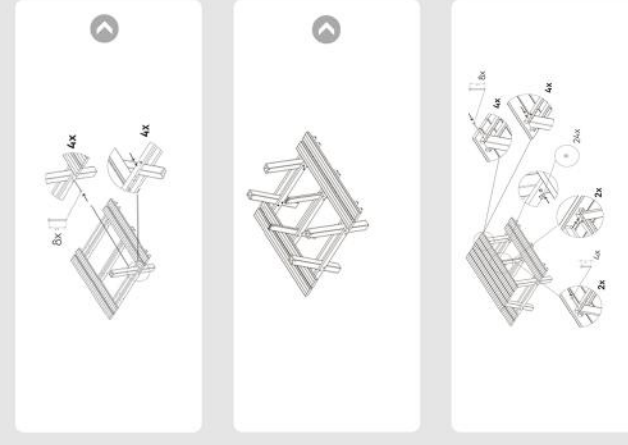
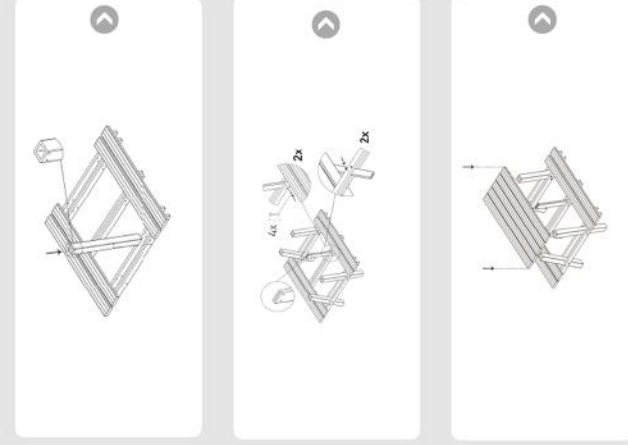
In Brasil



PEÇAS



PASSO A PASSO



Contáctenos:

For US Corporation:

www.foruseco.com

1-561-774 0707

In Brasil:

www.inbrasil.ind.br

+55 042 3135-5000

Fale com a gente:

For US Corporation:

www.foruseco.com

1-561-774 0707

In Brasil:

www.inbrasil.ind.br

+55 042 3135-5000

▶ FIM

