



# Fence

assembly guide manual

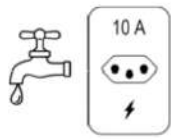


# SUMMARY

1. NECESSARY TOOLS.....	2
2. WALL PROFILES MODELS.....	3
3. SUPPLIES AND ACCESSORIES.....	4
4. ASSEMBLY.....	5
5. FINISHING.....	7

Every work must have technical monitoring.  
For US Eco provides product warranty.  
For more information about the warranty see our website.

## 1. NECESSARY TOOLS



1. Water and energy



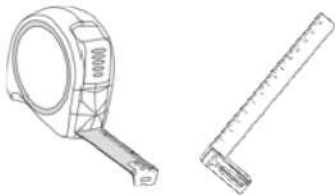
6. Drill set



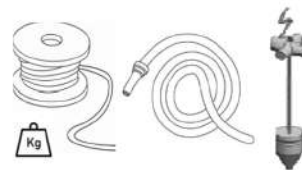
2. Drills or type auger



7. Hacksaw



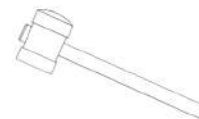
3. Measuring tape or square



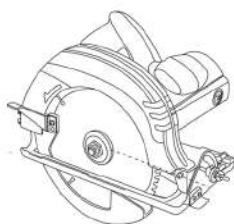
8. Iron plumb, level hose, line



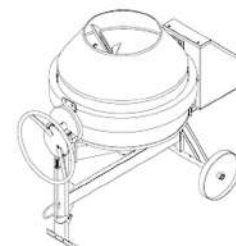
4. Drill screwdriver



9. Rubber hammer



5. Circular saw



10. Concrete mixer or mass box

Note: for a proper workforce need to have basic knowledge level, plumb and square.

## 2. FENCE PROFILE MODELS



1. 7" x 3" fence partition



6. U profile in iron



2. 5" x 5" column



3. 8" x 8" column



4. Plastic wood partition finishing



5. 3.5" x 2.5" column for staking

### 3. SUPPLIES AND ACCESSORIES



1. 0.1" x 2" biochromatized or stainless steel screw



7. 8" x 8" column lid



2. 0.3" bushing



3. Self-drilling screw for metal profile U



4. Armed column



5. Trellis

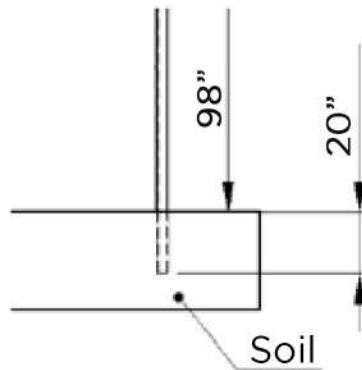


6. 6" x 2.5" Profile lid

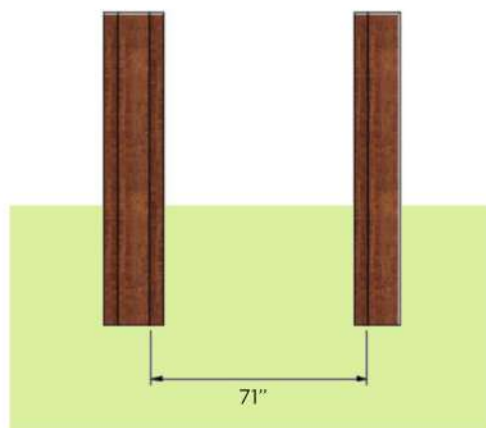
## 4. ASSEMBLY

### 1) Columns

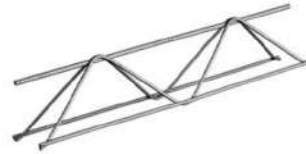
Make sure that the measurements of the area to be built are in accordance with the measurements of the land deed. After measuring the total length of the fence, remove the alignment. To do this, place the first and last column of the fence, bury 20" in the soil and remove the plumb.



Having the correct level, place the intermediate columns of the fence, remembering that the maximum space between the columns is 71".



After placing all the columns of the fence, fill with iron and fill them with concrete up to 50% of their height so there is no warping.



TB trellis 3"

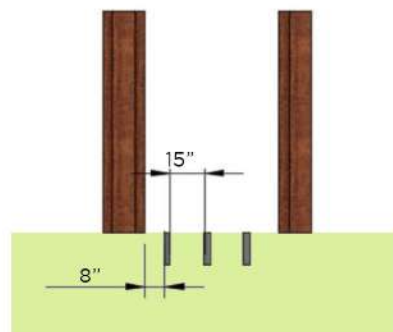
## 1) Division finishing

The partition finishing or the metal profile must be fixed to the column to fit the 7" x 3" partitions, as shown in the image below.



## 1) fence

For leveling and supporting the fence, piling is performed with a concrete base, using the profile 2.5" x 3.5", burying it 15" or until you find a firm floor, distributing the space as shown in the images below.



After leveling and fence support are made, it must be fitted to the 7" x 3" profile until reaching the required height, as shown in the images below.



## 5. FINISHING

### 1) Superior finishing

Complete a concreting of the columns, crossing together or top finishing. As for fitting the partitions, you can use the partitions finishing or the U profile in iron to block a fence at the top, you must put one of the two accessories to create or move a structure of the fence, not allowing the fence to move, as shown in the images below.







A company by:



[www.inbrasil.ind.br](http://www.inbrasil.ind.br)  
+55 042 3135-5000

[www.foruseco.com](http://www.foruseco.com)  
1-561-774 0707