



# Guardrail

assembly guide

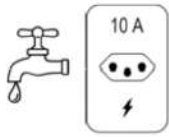


# SUMMARY

1. NECESSARY TOOLS.....	2
2. PROFILE MODELS.....	3
3. SUPPLIES AND ACCESSORIES.....	3
4. INSTALLATION ON GROUND.....	4
5. FLOOR INSTALLATION.....	4
6. DISTANCING.....	5
7. HORIZONTAL PROFILE FIXATION ON GUARDRAIL COLUMNS.....	6
8. GUARDRAIL FINISHING.....	6

Every work must have technical monitoring.  
For US Eco provides product warranty.  
For more information about the warranty see our website.

## 1. NECESSARY TOOLS



1. Water and energy



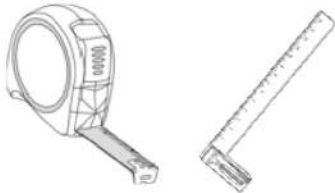
6. Drill set



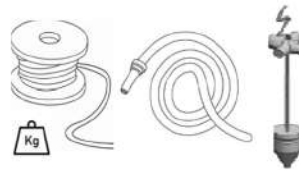
2. Drills or type auger



7. Hacksaw



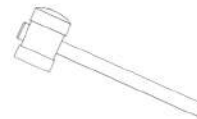
3. Measuring tape or square



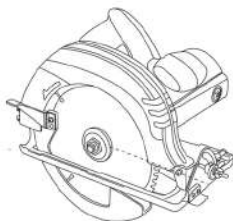
8. Iron plumb,  
level hose, line



4. Drill screwdriver



9. Rubber hammer



5. Circular saw



10. Concrete mixer or  
mass box

## 2. PROFILE MODELS

### PROFILES USED IN VERTICAL



Column 3.5" x 3.5"



Column 5" x 5"

### PROFILES USED AT HORIZONTAL



Board 5.3" x 1.1"



Column 6" x 2.5"

## 3. SUPPLIES AND ACCESSORIES



0.1" x 2" stainless or biochromatized screw



Parabolt



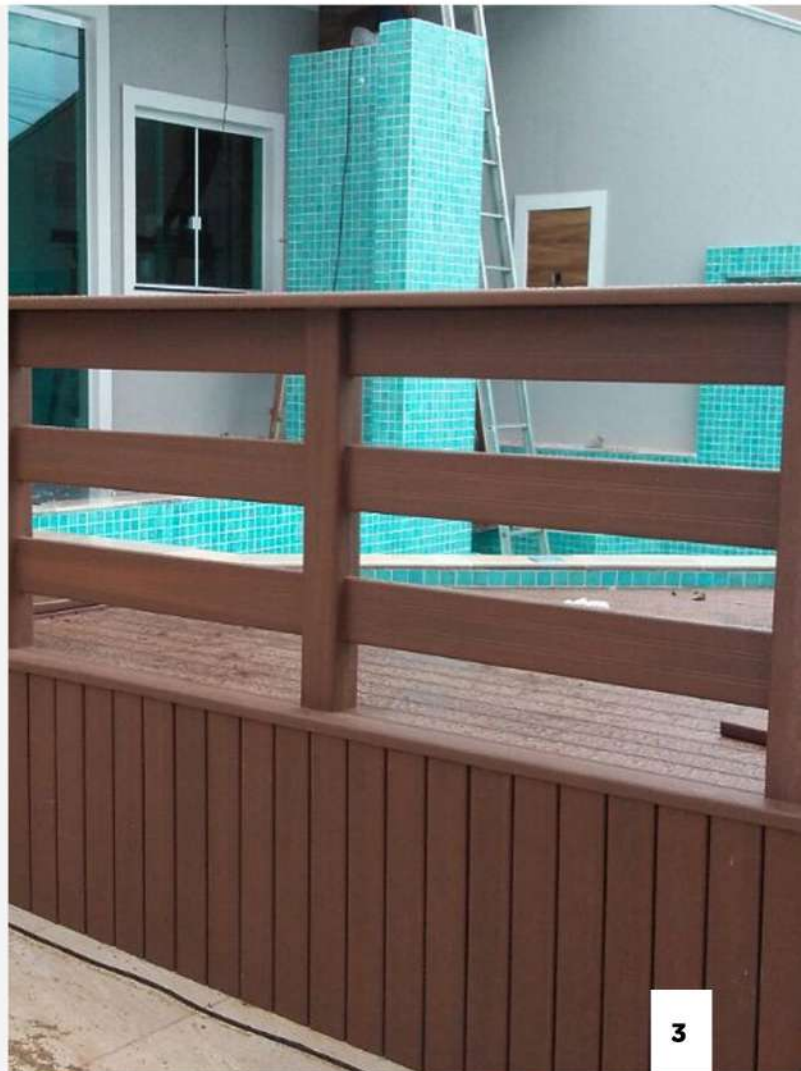
3.5" x 3.5" lid



L-shaped angle

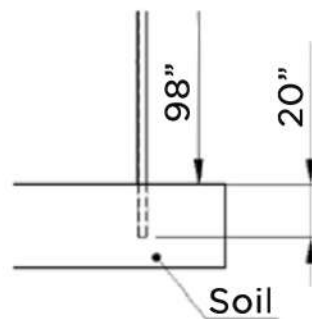


5" x 5" lid



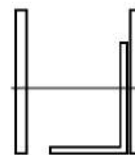
## 4. GROUND INSTALLATION

In order to perform this installation it is necessary to install at least 20", put iron or trellis and fill with concrete.



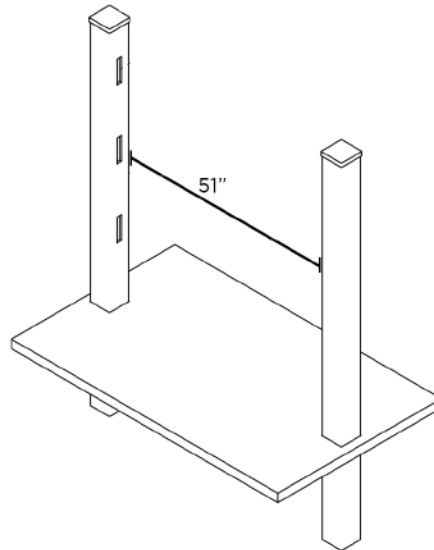
## 5. FLOOR INSTALLATION

For this installation it is necessary to use a parabol fixed to the floor and put a fixed truss iron on the parabol and fill it with concrete.

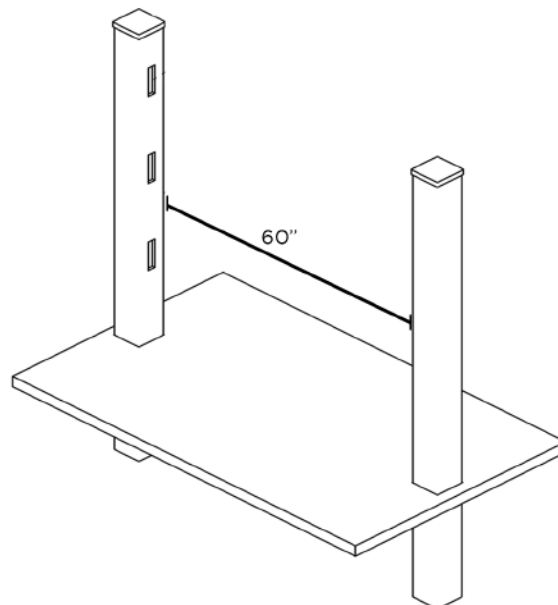


## 6. SPACING

For the 5.5" x 1.25" board horizontally the maximum distance between the columns is 51".

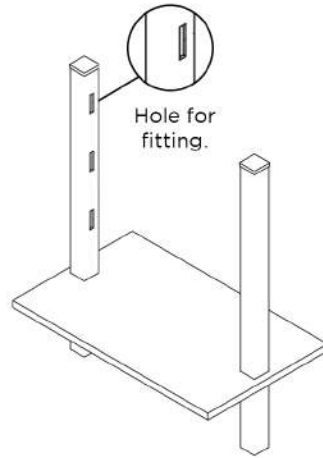


For the 6" x 2.5" column horizontally the maximum distance of the columns is 60".

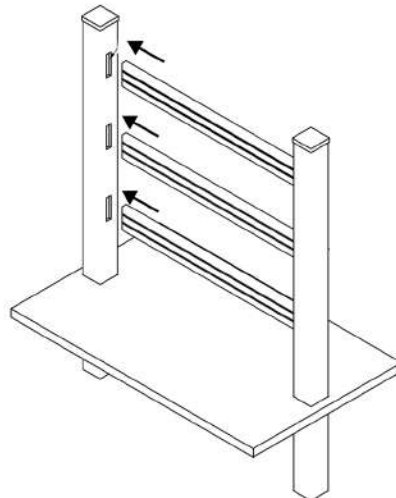


## 7. HORIZONTAL PROFILE FIXATION ON GUARDRAIL COLUMNS

Drill the holes in the columns to allow the profiles to fit.

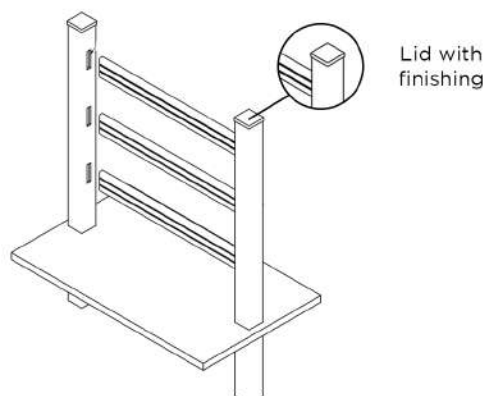


Fix the profiles horizontally by fitting inside the column.



## 8. GUARDRAIL FINISHING

Place the lids on the columns of the guardrail to finish.





A company by:



[www.inbrasil.ind.br](http://www.inbrasil.ind.br)  
+55 042 3135-5000

[www.foruseco.com](http://www.foruseco.com)  
1-561-774 0707